

Signal Animator Circuit Board

Circuit board is RoHS compliant. Using RoHS-compliant (non-lead) solder and components will result in a finished board that is also RoHS compliant. If maintaining RoHS-compliance is not important to you, you may use solder containing lead or components that are not RoHS-compliant.

Assembly and installation instructions can be found on our website at:

<http://circuits4tracks.daxack.ca/php/productdocs.php?id=2>

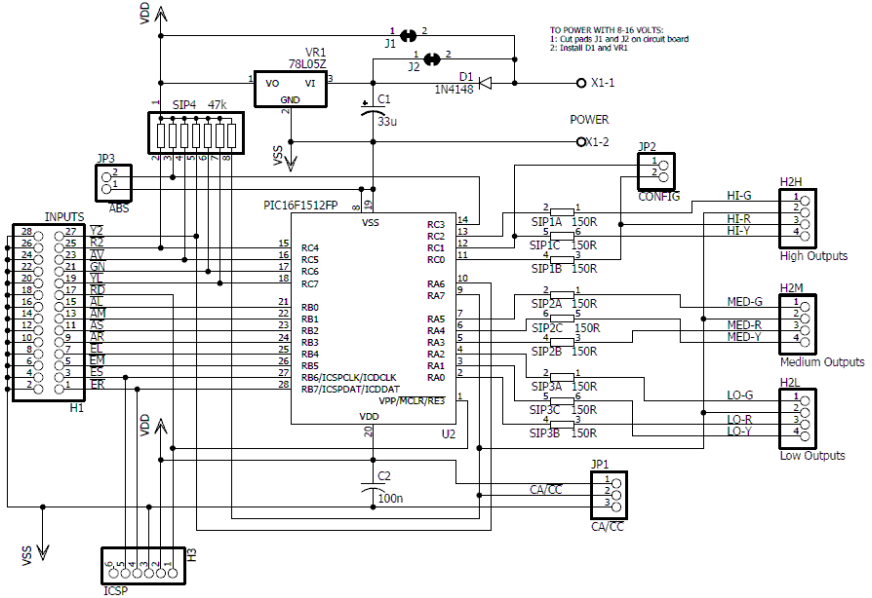
Part List

Part Number	Description	Digi-Key Number
C1	33 μ F, 35 V electrolytic capacitor	565-1569-ND
C2	100 nF, 10 V monolithic capacitor	BC2665TB-ND
D1 *	1N4148 diode	1N4148TATB-ND
H1	2x14 header	67996-214HLF-ND
H2	2x12 header	609-3213-ND
J1	1x3 header	ED7203-ND
J2,J3	1x2 header	ED7202-ND
SIP1, SIP2, SIP3	150R, 3RES, 6SIP	4606X-2-151LF-ND
SIP4	47k, 7RES, 8SIP	4608X-1-681LF-ND
U2	PIC16F1512 micro controller	PIC16F1512-I/SP-ND
VR1 *	78L05Z voltage regulator	AS78L05ZTR-E1DICT-ND
X1	2-position screw terminal block	A97996-ND

* D1 and VR1 only used for 8-16 VDC version

Circuits4Tracks can supply individual parts where needed. Send an email to circuits@daxack.ca for information.

Circuit Schematic



This document is available in PDF format on our website.